



Customer Installable Parts

Enhanced Traction Tire

Kit Number: 1725100001



Contents

- 1 Enhanced Traction Tire/wheel assembly
- 1 wheel nut

Features

- Michelin Balance® Enhanced Traction Tire
- reflective stripe
- impact resistant 1 piece wheel

Tools Required

- 16mm deep socket wrench with at least 8 inch handle
- rubber mallet

WARNING

Always shut down Segway HT and unplug the charge cord before performing any maintenance or installing any part or accessory.

Follow these instructions carefully. Failure to follow these instructions carefully could damage your Segway HT and render it unsafe to use.

The Enhanced Traction Tire is designed to provide greater traction than the standard Segway™ HT tire on a wide variety of surfaces. However, even with Enhanced Traction Tires, the risk of loss of traction when riding on a slippery surface, loose materials, or a steep slope still exists. If a tire loses traction, then the Segway HT cannot move as necessary to stay upright and the rider could fall. To be safe, the rider must avoid riding over slippery surfaces, loose materials, and steep slopes.

For safe and efficient operation, the same size and type tire/wheel assembly must be installed on both sides of the Segway HT. Enhanced Traction Tire/wheel assemblies should be installed on both sides of the Segway HT.

Tire inflation pressure should be checked regularly and maintained at the following levels

i Series: 15 psi

e Series: 15 psi, unless the combined weight of rider and cargo exceeds 250 pounds. If the combined weight of rider and cargo exceeds 250 pounds, e Series inflation pressure should be 22 psi.

Do not exceed these inflation pressures. Higher inflation pressures increase risk of loss of control and injury

> Instructions

Before you begin:

Tip the Segway HT onto its side so that the outside of the wheel to be removed faces up.

Removal Instructions

(Remove and install one side at a time)

Step 1

Remove the wheel nut with a 16mm deep socket wrench, hold the wheel from rotating and turn the wrench counter clockwise. (This may require considerable force.)

Step 2

Strike down on the outside edge of the tire with a rubber mallet to unseat the wheel hub taper. (This may require multiple attempts, as the wheel hub is tight to the gearbox taper.)

Step 3

Remove the wheel.

Installation Instructions

(Replace any fasteners you remove when performing this installation with the new fasteners included in this kit.)

Step 4

Wipe clean the gearbox taper and the wheel hub taper.

Step 5

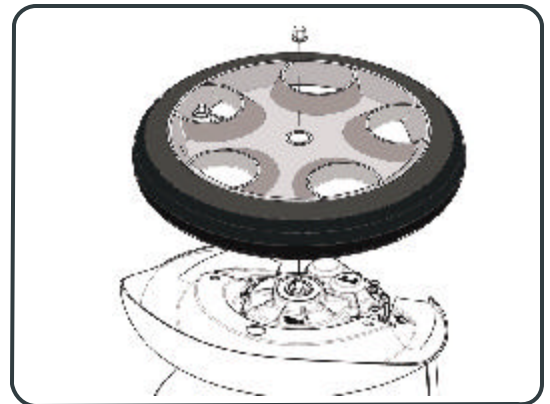
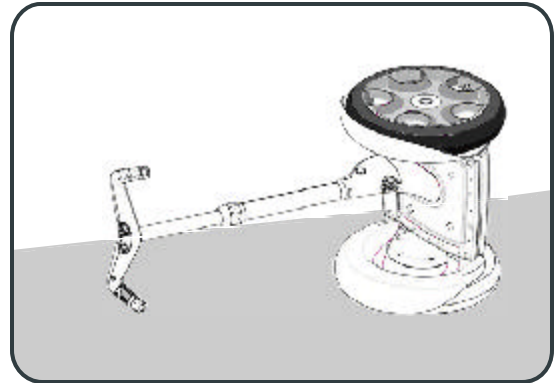
Place the opening in the new Enhanced Traction Tire/wheel over the gearbox shaft; rotate the wheel while pressing down until the wheel seats.

Step 6

Thread on the new wheel nut and torque to 50 N-m.

Step 7

Repeat this procedure for the other tire/wheel assembly.



LIMITED WARRANTY The Segway HT Enhanced Traction Tire/wheel assembly is an accessory covered by the ninety (90) day limited warranty provided in the Segway™ Human Transporter Accessories Limited Warranty (copy delivered with the Enhanced Traction Tire/wheel Assembly).



Questions?

If you have any problems or concerns, please contact Segway Customer Operations at 866.4SEGWAY (866.473.4929) or on our website at www.segway.com/support/contact_us.html. Thank you.